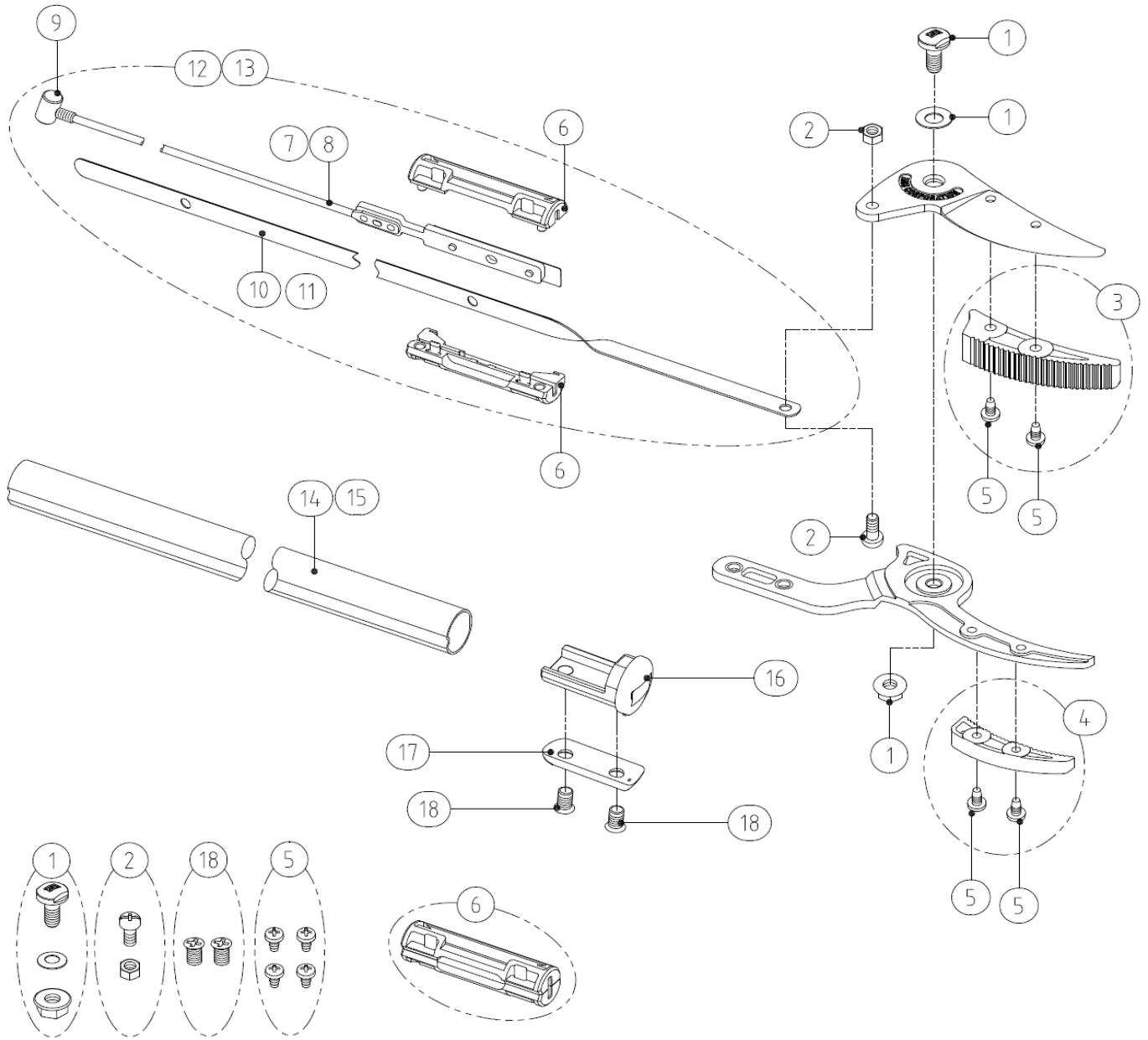
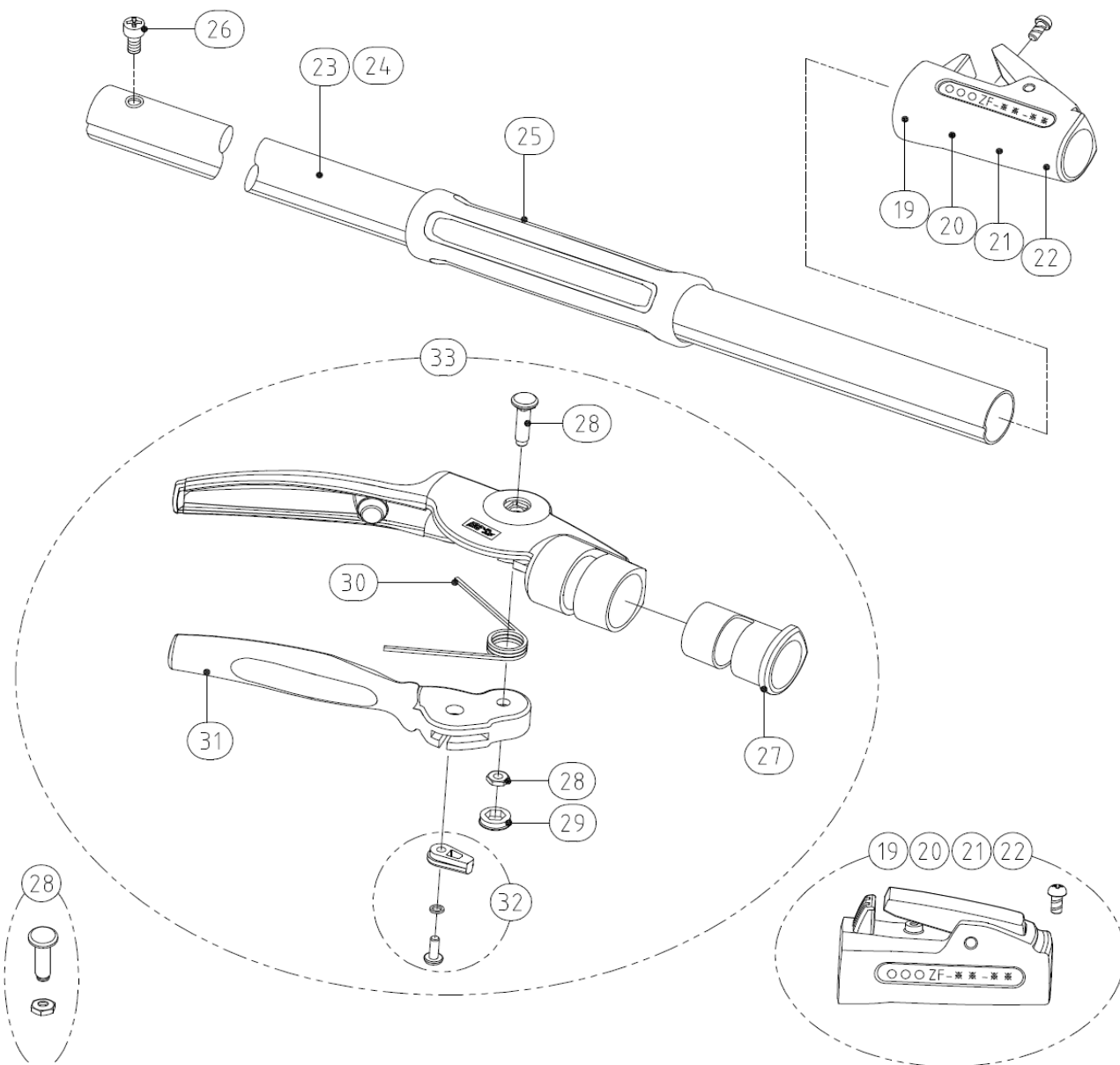


160ZF-2.0-3 / 160ZF-3.0-5 / 180ZF-2.0-3 / 180ZF-3.0-5



PARTS NO.	SPECIFICATION	PARTS NO.	SPECIFICATION
① SP-334	BOLT, WASHER & NUT FOR ZR/ZF SERIES	⑫ HP-ZF-2.0-3	STEEL BAND SET FOR ZF-2.0-3
② SP-44	ROD FIXING BOLT & NUT FOR 150/160/180/190/ZF SERIES	⑬ HP-ZF-3.0-5	STEEL BAND SET FOR ZF-3.0-5
③ SP-351	HOLDING DEVICE FOR THE CUTTING BLADE WITH 2 SCREW FOR 160ZR/ZF	⑭ SP-463	UPPER PIPE FOR 160/180ZF-2.0-3
④ SP-352	HOLDING DEVICE FOR THE COUNTER BLADE WITH 2 SCREW FOR 160ZR/ZF	⑮ SP-464	UPPER PIPE FOR 160/180ZF-3.0-5
⑤ SP-353	SCREWS FOR HOLDING DEVICE OF 160ZR/ZF/160R-1.8 (4PCS)	⑯ SP-465	BLADE FIXING PART FOR ZF SERIES
⑥ SP-335	INNER CASE FOR ZR/ZF SERIES	⑰ SP-466	WASHER PLATE FOR BLADE FIXING PART OF ZF SERIES
⑦ SP-459	ROD ONLY, FOR 160/180ZF-2.0-3	⑱ SP-399	SCREW FOR THE BLADE FIXING PART OF 160R/180R/ZF SERIES (2PCS)
⑧ SP-460	ROD ONLY, FOR 160/180ZF-3.0-5		
⑨ SP-338	ROD FIXING PART FOR ZR/ZF/160R/180R/180LR SERIES		
⑩ SP-461	STEEL BAND ONLY, FOR 160/180ZF-2.0-3		
⑪ SP-462	STEEL BAND ONLY, FOR 160/180ZF-3.0-5		

160ZF-2.0-3 / 160ZF-3.0-5 / 180ZF-2.0-3 / 180ZF-3.0-5



PARTS NO.	SPECIFICATION	PARTS NO.	SPECIFICATION
①⑨	SP-467 JOINT CASE SET FOR 160ZF-2.0-3	③①	SP-349 GRIP LEVER ONLY, FOR ZR/ZF/160R/180R/180LR SERIES
②⑩	SP-468 JOINT CASE SET FOR 160ZF-3.0-5		
②①	SP-469 JOINT CASE SET FOR 180ZF-2.0-3	③②	SP-380 HANDLE LATCH LOCK SET FOR ZR/ZF/160R/180R/180LR SERIES
②②	SP-470 JOINT CASE SET FOR 180ZF-3.0-5		
②③	SP-471 LOWER PIPE ONLY, FOR 160/180ZF-2.0-3	③③	SP-348 GRIP SET FOR ZR/ZF/160R/180R/180LR SERIES
②④	SP-472 LOWER PIPE ONLY, FOR 160/180ZF-3.0-5		
②⑤	SP-350 MIDDLE GRIP FOR ZR/ZF/160R/180R		
②⑥	SP-452 STOP SCREW FOR THE HANDLE OF 180LR/ZF SERIES		
②⑦	SP-339 SLEEVE FOR THE GRIP OF ZR/ZF/160R/180R/180LR SERIES		
②⑧	SP-379 CENTER BOLT & NUT FOR GRIP OF ZR/ZF/160R/180R/180LR SERIES		
②⑨	SP-414 NUT CAP FOR THE HANDLE OF ZR/ZF/160R/180R/180LR SERIES		
③①	SP-41 SPRING FOR LONG REACH PRUNER (INC ZR SERIES,150-0.6) (1 PC)		